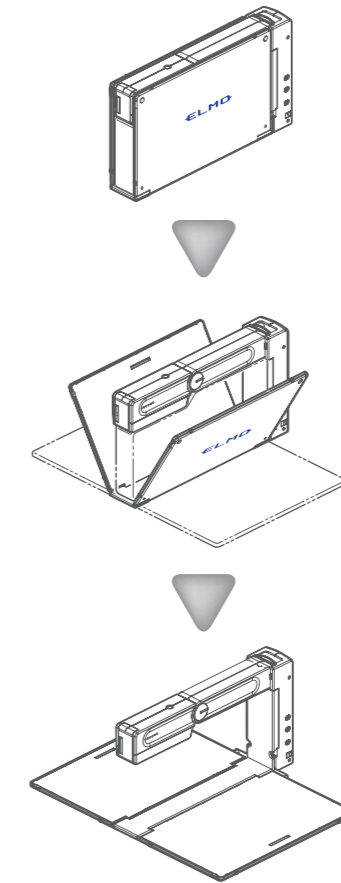
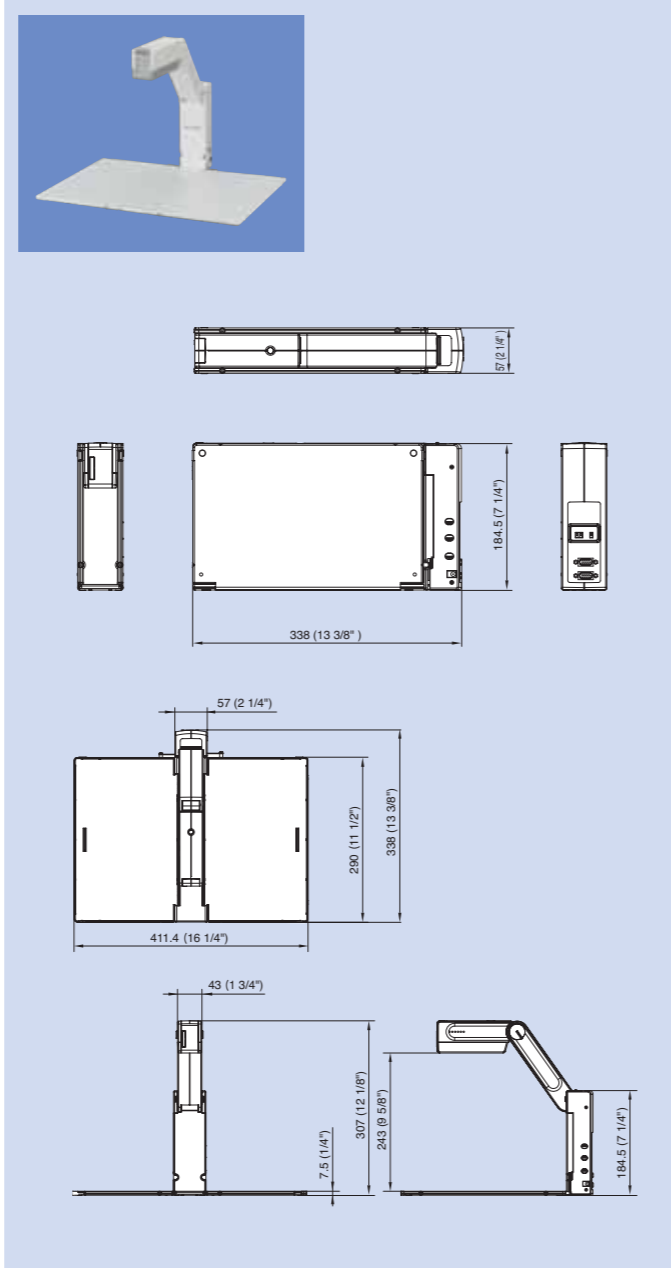


FF-1 Specifications

Model		FF-1	
Camera	Image pick-up device	1/3" progressive scan CCD, 850,000 pixels	
	Effective pixels	1024 (H) x 768 (V)	
	Frame rate	20 frames/sec.	
	Resolution RGB output	600(H) x 600(V) TV lines	
Optics	Lens	F4.0, f=3mm	
	Shooting area	Max. 401 x 300mm (15 7/8" x 11 7/8") Min. 221 x 165mm (8 3/4" x 6 1/2")	
	Focus	FOCUSFREE	
	Brightness control	Auto (level control provided) / Manual (powered)	
Functions	White balance	Full-Auto/Fixed	
	Text mode	Provided	
	Digital zoom	Provided (8x)	
	Media menu	Provided	
	Image save	Provided (onto SD card)	
	Sync. system	Internal	
	Flickerless mode	Provided	
	Input selection	Int./RGB	
Interfaces	Analog RGB output	XGA (1024x768 @60Hz)	
	RGB input	Provided	
	USB port	Provided	
	SD card slot	Provided	
	Lighting	Illumination lamp	Provided
Others	Accessories	AC adapter, RGB cable, Instruction manual, AC cord, anti-glare sheet (A5 size), holding band, USB cable, Image Mate, TWAIN DS driver, Accessory case	
	Dimensions (W x D x H)	Setup	411.4 x 338 x 307mm (16 1/4"x13 3/8"x12 1/8")
		Folded	57 x 338 x 184.5mm (2 1/4"x13 3/8"x7 1/4")
	Weight	1.9Kg (4.2lbs)	
	Power consumption	7W	
Power source	DC12V (AC adapter)		

Profile

All dimensions in mm (inches)



ELMO's Helping to Provide a Greener Future for Our Children

This ELMO product complies with RoHS Directive 2002/95/EC (Restriction Of the use of certain Hazardous Substances in electronic equipment). This compliance helps to ensure a healthier and greener environment for all our children.

Design and specifications are subject to change without prior notice.
The images on this brochure are simulated.

"ELMO" is a trademark or registered trademark of ELMO COMPANY, LIMITED.

Other brand names and product names may be trademarks or registered trademarks of their respective owners.



ELMO CO., LTD. (Head Office and Factory's OMS/EMS has been registered to ISO 9001 & 14001 : 2004.



ELMO CO., LTD.

6-14, Meizen-cho, Mizuho-ku
Nagoya, 467-8567, Japan

Distributed by

Additional technical information is available from any of the following subsidiary companies:

ELMO (Europe) G.m.b.H.

Neanderstr 18,
40233 Düsseldorf, Germany
Tel. (0211) 386470 Fax. (0211) 376630
E-mail : info@elmoeurope.com
Web : <http://www.elmoeurope.com>

ELMO USA Corp.

Headquarters
1478 Old Country Road
Plainview, NY 11803-5034, U.S.A.
Tel. (516) 501-1400 Fax. (516) 501-0429
E-mail : elmo@elmousa.com
Web : <http://www.elmousa.com>

West Coast Branch

Cypress Pointe Business Park
5676 Corporate Avenue
Cypress, CA 90630, U.S.A.
Tel. (714) 828-8457 Fax. (714) 828-8429



This brochure is printed on recycled paper with soy ink.

Printed in Japan(A)/8/2007

Small Body Great Impressions





Compact & Simple!



Weight 1.9Kg,
Only A4 size
when folded



1



2



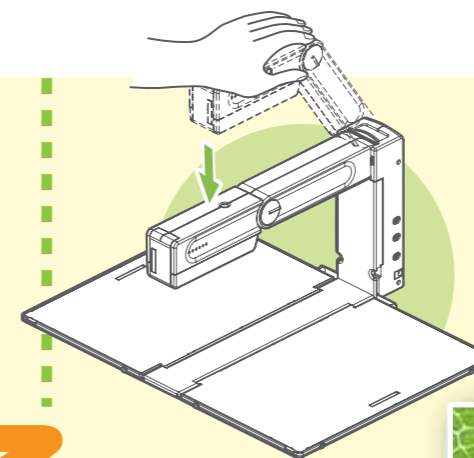
3

Easy!

The FF-1 is focus free

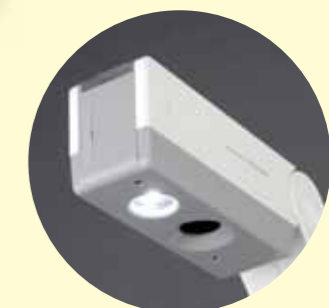
Speedy!

Set up in only three steps



Clear!

Built-in 850,000 pixels progressive scan CCD camera
Two times mechanical zoom function,
Plus up to eight times digital zoom function



LED provides uniform lighting

- New Compact Design
- FOCUSFREE
- 8x Digital Zoom
- USB2.0
- SD card slot
- Flickerless Mode
- Brightness control
- 850K pixels Progressive Scan CCD
- Moving Picture Output 20 frames/sec
- RGB Switcher Function
- White LED equipped
- Application Software
- Media menu
- Text Mode

Real time presentation!

for Comprehensible and Creative meeting and classwork

Presenter+Projector+PC

Presentations with 3 Ps persuade and impress. Change smoothly from presenter to PC.



Analog RGB input and output terminals allow instant change to PC screen with only one touch of the button.



SD Memory Card-ready

You can store images directly to the SD card.

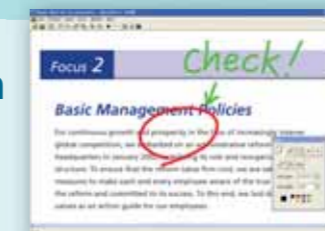
Note : Only image files saved to the FF-1's SD card or converted using the supplied conversion software are viewable through the FF-1.



Enjoy presentation!

Image Mate for Presentaion

Annotation tools let you draw lines (freehand or straight) in a variety of colors to highlight and enhance screen images, right from your PC.



Split screen gives you a platform for comparing live video to stored image - side by side for greater visual impact.

USB2.0 PC Interface

USB2.0 connection to PC supports instant drawing to highlight and annotate image

Multi application



Visual Presenter
FF-1